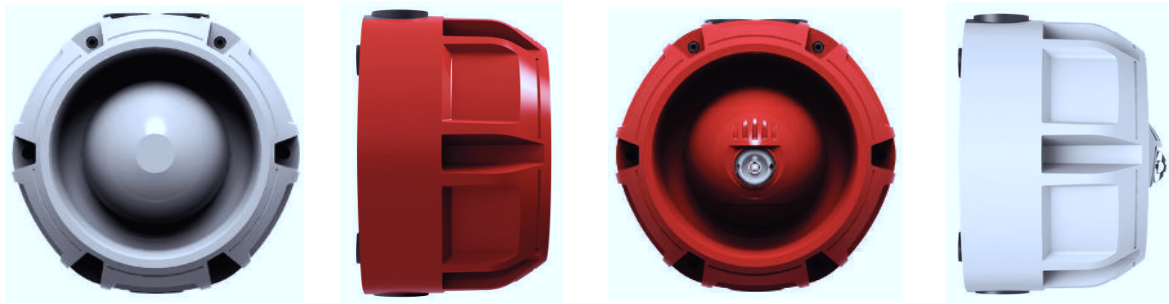


## CONVENTIONAL RAPTOR SOUNDER & SOUNDER BEACON INSTALLATION MANUAL



### Description

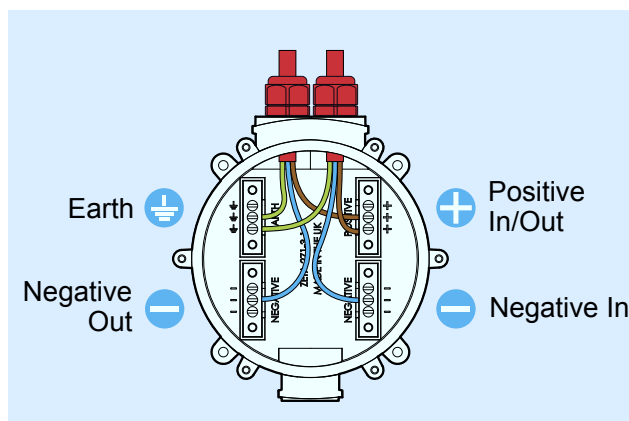
The Raptor conventional sounder is a large weatherproof horn sounder suitable for many indoor & outdoor applications.

It is available in red or white and has a selection of 22 tones.

Termination of field wiring is made to the backbox for a clean first fix.

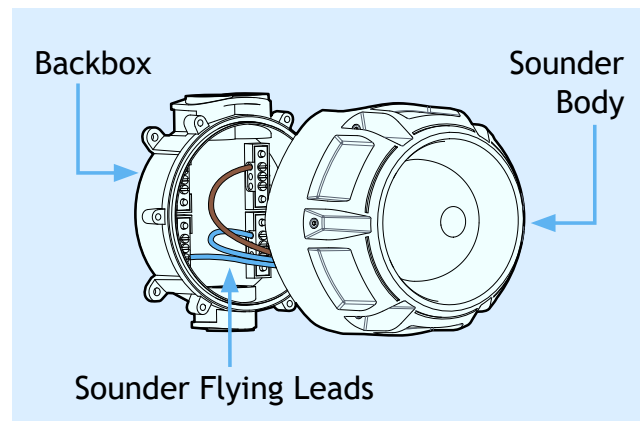
### Connections - First Fix

The loop wiring connects to terminals in the back box.



### Final Fix

- Set the sounder Tone (See Tone setting)
- Fix the BROWN sounder flying lead to the POSITIVE terminal
- Fix the first BLUE sounder flying lead to the LEFT NEGATIVE terminal
- Fix the second BLUE sounder flying lead to the RIGHT NEGATIVE terminal.
- Screw the sounder body to the backbox.



## Tone Setting

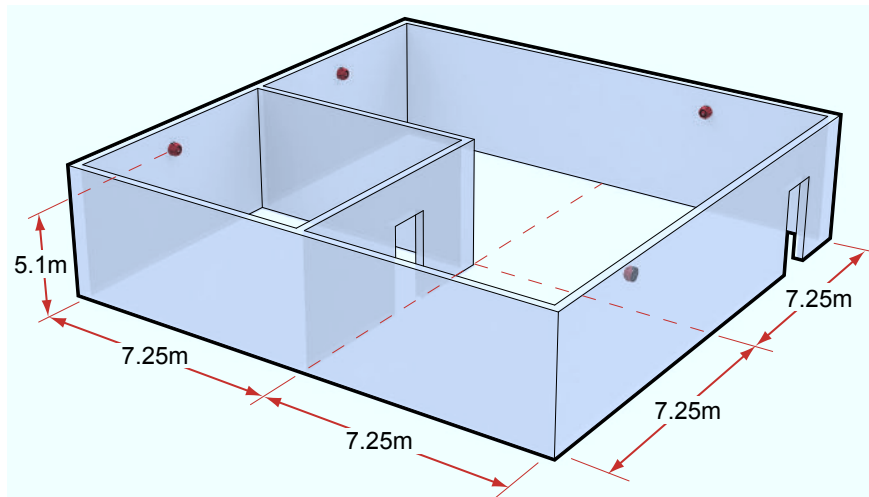
Tone	SW1	SW2	SW3	SW4	SW5	SW6	SW7	SW8	Tone Description	Pattern
0*	ON	ON	ON	ON	ON	ON	ON	ON	BS Fire (Default Zeta tone)	Alternating
1	OFF	ON	ON	ON	ON	ON	ON	ON	BS Fire	Alternating
2	ON	OFF	ON	ON	ON	ON	ON	ON	BS Fire	Sweep
3	OFF	OFF	ON	ON	ON	ON	ON	ON	BS Fire	Sweep
4	ON	ON	OFF	ON	ON	ON	ON	ON	BS Fire	Sweep
5	OFF	ON	OFF	ON	ON	ON	ON	ON	German fire (DIN 33 404)	Sweep
6	ON	OFF	OFF	ON	ON	ON	ON	ON	French fire (NFS 32-001)	Alternating
7*	OFF	OFF	OFF	ON	ON	ON	ON	ON	Dutch fire (NEN 2575)	Slow whoop
8	ON	ON	ON	OFF	ON	ON	ON	ON	PFEER Toxic Gas	Continuous
9	OFF	ON	ON	OFF	ON	ON	ON	ON	PFEER alert	Intermittent
10	ON	OFF	ON	OFF	ON	ON	ON	ON	ISO-8201 (steady pulse)	Intermittent
11	OFF	OFF	ON	OFF	ON	ON	ON	ON	ISO-8201 (Positive sweep)	Intermittent
12	ON	ON	OFF	OFF	ON	ON	ON	ON	ISO-8201 (Negative sweep)	Intermittent
13	OFF	ON	OFF	OFF	ON	ON	ON	ON	General Purpose	Continuous
14	ON	OFF	OFF	OFF	ON	ON	ON	ON	General Purpose	Sweep
15	OFF	OFF	OFF	OFF	ON	ON	ON	ON	General Purpose	Sweep
16	ON	ON	ON	ON	OFF	ON	ON	ON	General Purpose	Sweep
17	OFF	ON	ON	ON	OFF	ON	ON	ON	General Purpose	Alternating
18	ON	OFF	ON	ON	OFF	ON	ON	ON	General Purpose	Intermittent
19	OFF	OFF	ON	ON	OFF	ON	ON	ON	Swedish Air Raid	Intermittent
20	ON	ON	OFF	ON	OFF	ON	ON	ON	Swedish All Clear	Continuous
21	OFF	ON	OFF	ON	OFF	ON	ON	ON	Swedish General Purpose	Intermittent

Any other switch setting gives tone 0

\*Approved tone

## Beacon Coverage

The Raptor conventional sounder with beacon (ZRPB/R & ZRPB/W) has a coverage pattern of W 5.1 - 7.25 and a flash rate of 0.5 Hz.



Frequency	Rate	Current (mA) Sounder Only	Current (mA) Sounder Beacon	dBA (Reverb. Chamber)
800 & 970	1Hz (500ms-500ms)	8	59	107.0 (+/- 3dB)
800 & 970	2Hz (250ms-250ms)	8	58	106.6 (+/- 3dB)
800 to 970	1Hz (1 per second)	8	58	105.1 (+/- 3dB)
800 to 970	7Hz (7 per second)	8	58	104.2 (+/- 3dB)
800 to 970	50Hz (50 per second)	8	58	103.3 (+/- 3dB)
1200 to 500	1Hz	8	58	104.2 (+/- 3dB)
554 & 440	100ms-400ms	8	58	102.5 (+/- 3dB)
500 to 1200	3.5s sweep, 0.5 s silence, then repeat	8	58	104.9 (+/- 3dB)
970	Steady	8	58	107.6 (+/- 3dB)
970	0.5Hz (1s On/1s Off)	8	48	107.4 (+/- 3dB)
970	3 x 500ms pulses, 1.5s silence, then repeat	8	48	106.8 (+/- 3dB)
800 to 970	3 x 500ms pulses, 1.5s silence, then repeat	8	48	102.5 (+/- 3dB)
970 to 800	3 x 500ms pulses, 1.5s silence, then repeat	8	48	101.8 (+/- 3dB)
2850	Steady	8	48	99.5 (+/- 3dB)
2400 to 2850	1 Hz	8	48	99.0 (+/- 3dB)
2400 to 2850	7 Hz	8	48	87.8 (+/- 3dB)
2400 to 2850	50 Hz	8	48	96.6 (+/- 3dB)
2400 & 2850	2 Hz	8	48	99.5 (+/- 3dB)
970	0.8Hz (250ms On/1s Off)	8	48	101.6 (+/- 3dB)
660	3.3Hz (150ms On/150msOff)	8	48	103.4 (+/- 3dB)
660	Steady	8	48	104.8 (+/- 3dB)
660	1Hz (500ms-500ms)	8	48	103.8 (+/- 3dB)

## Technical Data

Model	ZRP/R	ZRP/W	ZRPB/R	ZRPB/W
Part Number	42-630	42-631	42-632	42-633
Colour	Red	White	Red	White
Flash Colour	N/A	N/A	White flash	White flash
Flash Rate	N/A	N/A	0.5 Hz	0.5 Hz
Beacon Coverage	N/A	N/A	W 5.1 - 7.25	W 5.1 - 7.25
Sounder Output	107dB @1m +/- 3			
Operating Voltage	17-30V DC			
Quiescent Current	0 mA			
Alarm Current	10 mA max	10 mA max	70 mA max	70 mA max
Sounder Type	Type B (Outdoor use)			
Operating Temperature	-25°C to 70°C			
Max Humidity	95% RH Non Condensing			
IP Rating	IP65 (certified to IP33C)			
Size (H x W x D in mm )	146 x 150 x 98		146 x 150 x 107.5	
Weight (with Back Box)	540g		550g	

Minimum sound output 74.5dB under Anechoic conditions

For further information, including directional A-weighted sound output information please see doc GLT-271-6-3 Conventional Raptor Sounder operation Data, available from the manufacturer.

## Troubleshooting



Problem	Possible Cause
Sounder Circuit Showing Fault	Check sounder wiring has correct polarity
	Check that correct EOL is fitted (consult panel manual)
	Check that cables have not been swapped (eg out +ve wire connected to out -ve terminal)
	Check sounder fuse at control panel
No Sound Output from Sounder	Check sounder wiring has polarity correct
	Check sounder fuse at control panel

## Other Information

Like all electronic equipment, at the end of it`s working life this unit should not be disposed of in a refuse bin.

It should be taken to a local reprocessing site as per the guidelines of the WEEE directive, for correct disposal.



 2831	 0832
Zeta Alarms Limited 72-78 Morfa Road, Swansea SA1 2EN	
16 2831-CPR-F1336 2831-CPR-F1337	24 0832-UKCA-CPR-F1875 0832-UKCA-CPR-F1879
EN 54-3:2001+A2:2006 EN 54-3:2014+A1:2019 Alarm Devices - Sounder Type B: For Outdoor Use ZRP/R (W)	
EN 54-3:2001 + A1:2002 + A2:2006, EN 54-3:2014 + A1:2019, EN 54-23: 2010 Alarm Devices - Sounder & VAD Type B: For Outdoor Use ZRPB/R (W)	
Other Technical Data: See Doc: "Conventional Raptor Product file" held by the manufacturer	